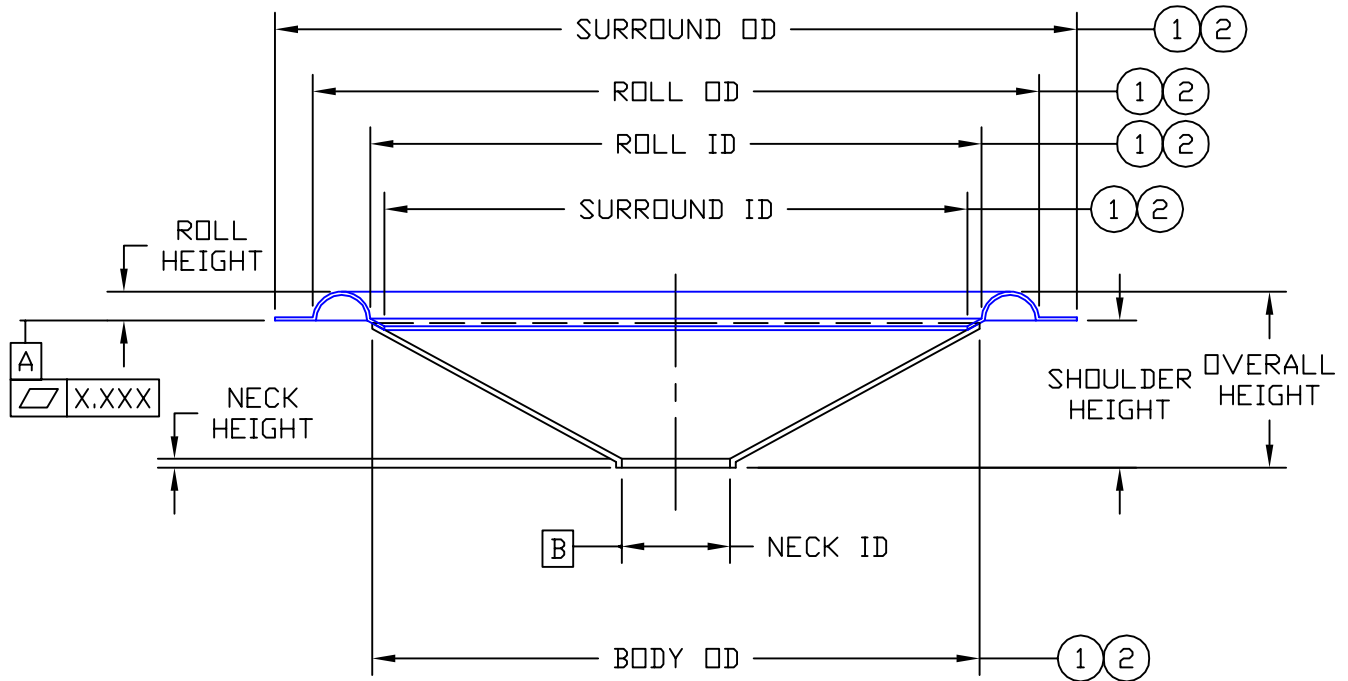




"The International Loudspeaker Association"

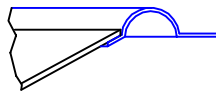
CONE ASSEMBLY NOMENCLATURE



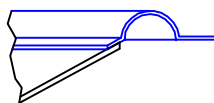
GD&T - DEFINE:

① AS ⌀ X.XXX | A | B CIRCULAR

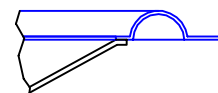
② AS $\text{⌒ X.XXX | A | B | C}$ ELLIPTICAL



REAR ATTACH



FRONT ATTACH



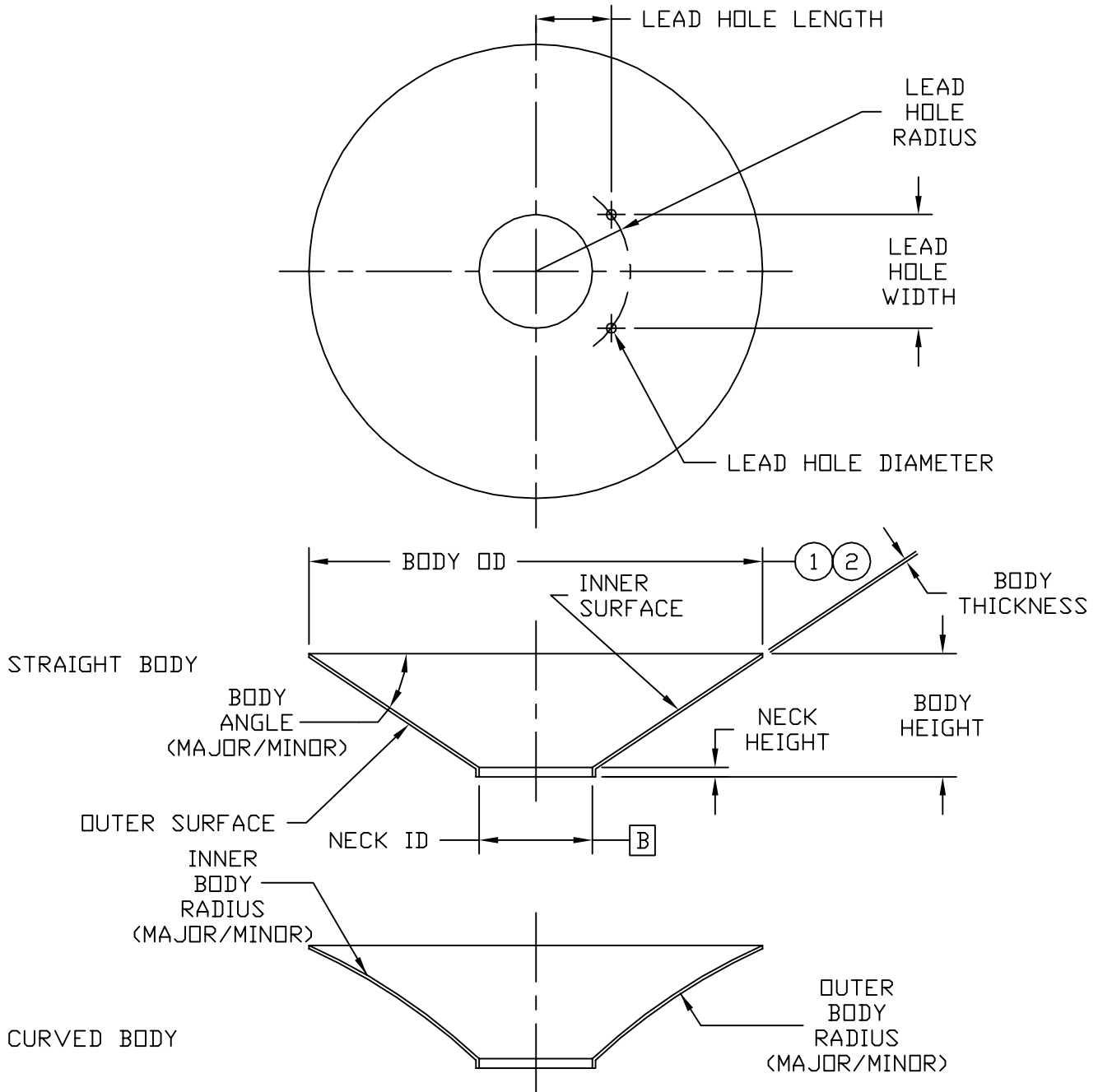
FLAT ATTACH

2/4/04	REFORMATTED & REVISED PER 2004 ALMA MTG	G. SEIDEL
DATE	REVISION DESCRIPTION	AUTHOR

ALMA

"The International Loudspeaker Association"

CONE BODY NOMENCLATURE

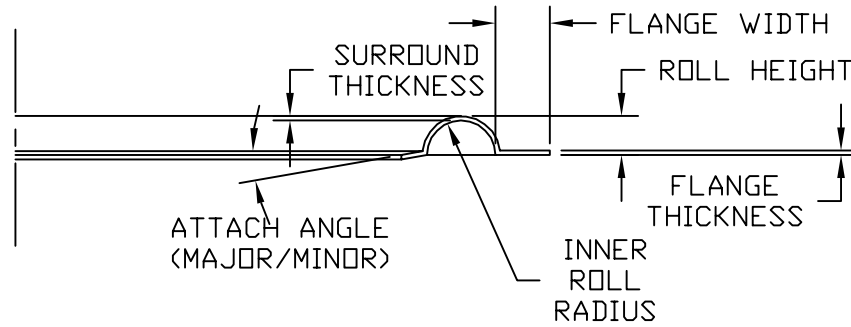


2/4/04	REFORMATTED & REVISED PER 2004 ALMA MTG	G. SEIDEL
DATE	REVISION DESCRIPTION	AUTHOR

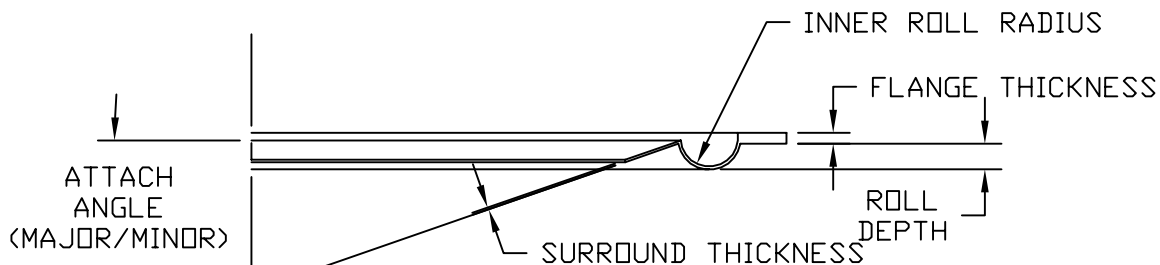
ALMA

"The International Loudspeaker Association"

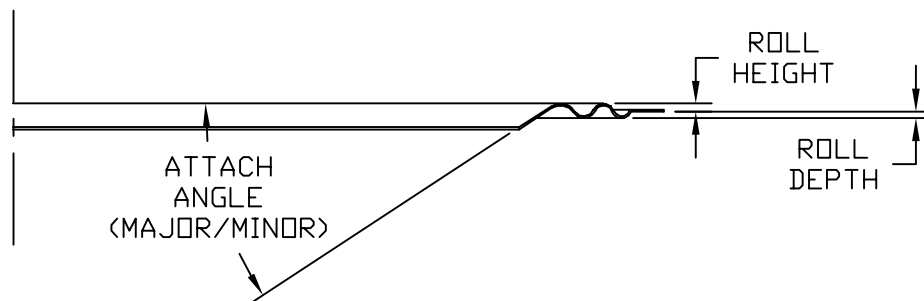
SURROUND STYLES & NOMENCLATURE



SURROUND, HALF ROLL UP



SURROUND, HALF ROLL DOWN



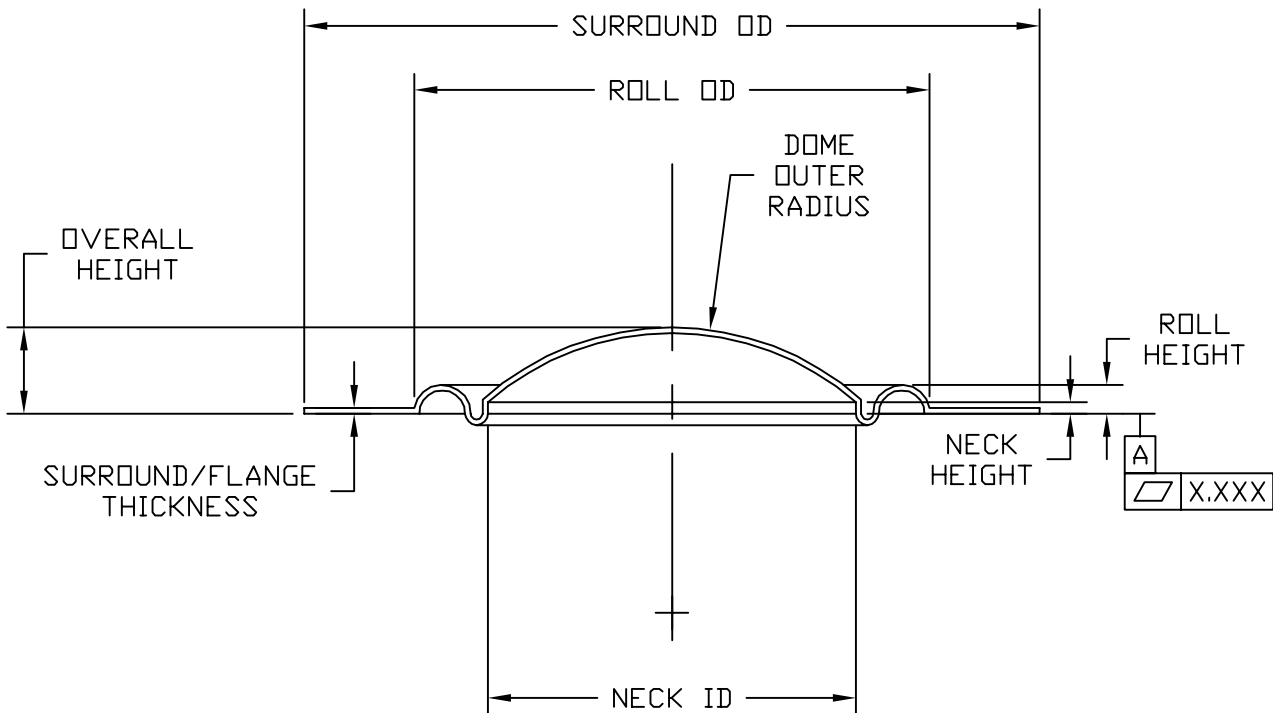
SURROUND, CORRUGATED ROLL

2/4/04	REFORMATTED & REVISED PER 2004 ALMA MTG	G. SEIDEL
DATE	REVISION DESCRIPTION	AUTHOR

ALMA

"The International Loudspeaker Association"

DOME ASSEMBLY NOMENCLATURE



2/4/04	REFORMATTED & REVISED PER 2004 ALMA MTG	G. SEIDEL
DATE	REVISION DESCRIPTION	AUTHOR