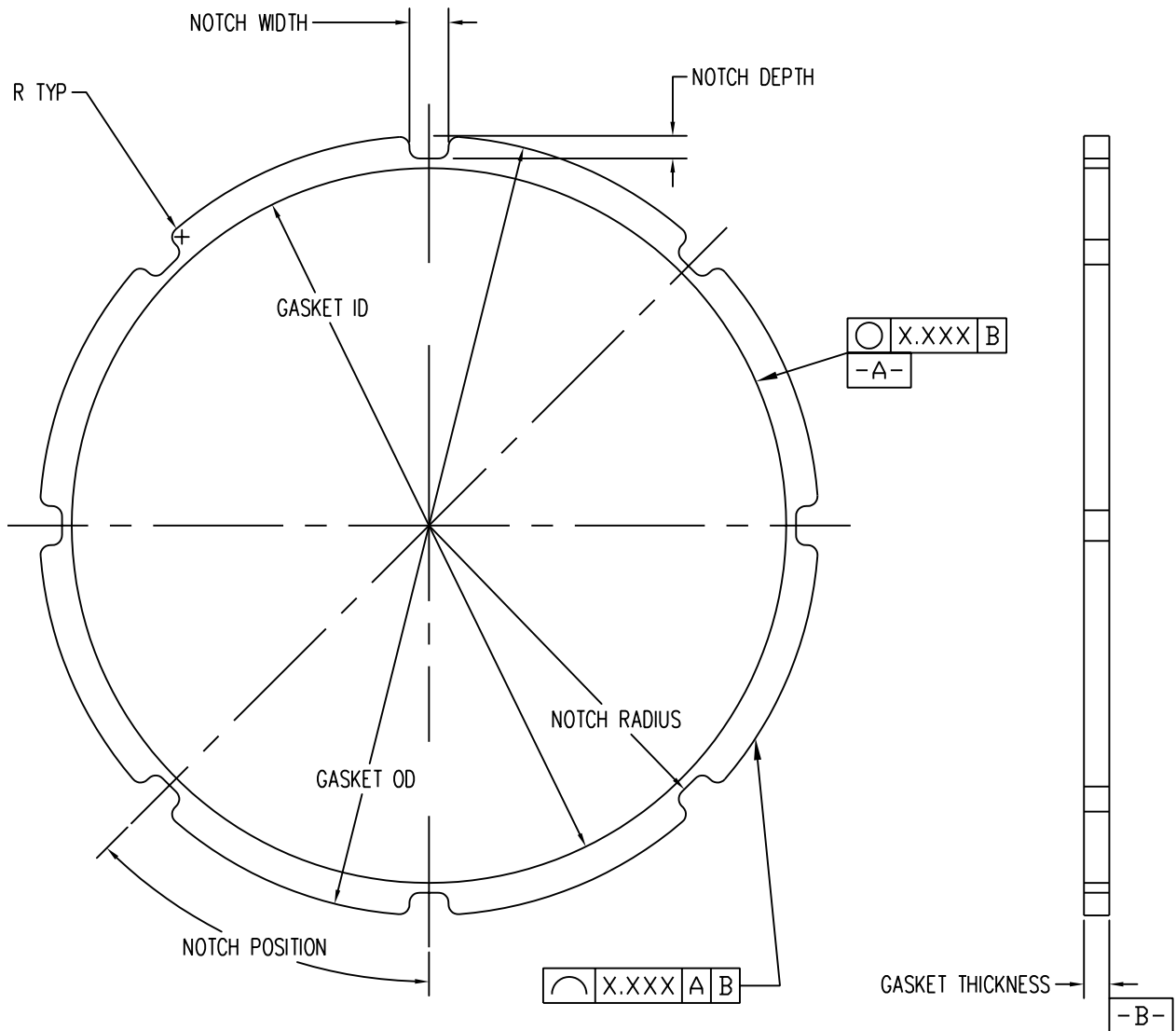


ALMA

"The International Loudspeaker Association"

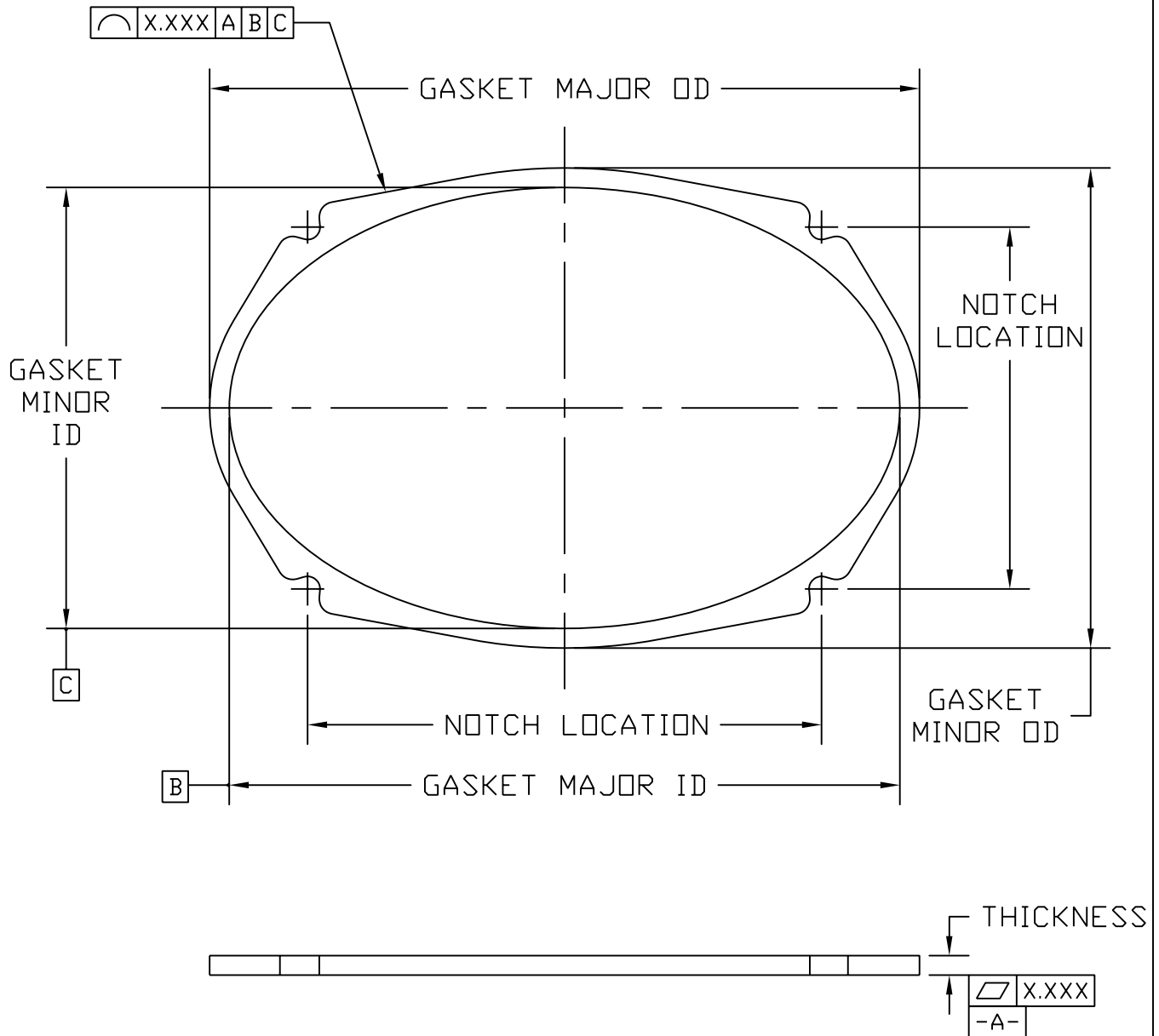
ROUND GASKET NOMENCLATURE



10/1/04	INITIAL RELEASE	G. SEIDEL
DATE	REVISION DESCRIPTION	AUTHOR



ELLIPTICAL GASKET NOMENCLATURE

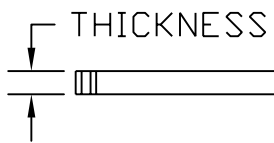
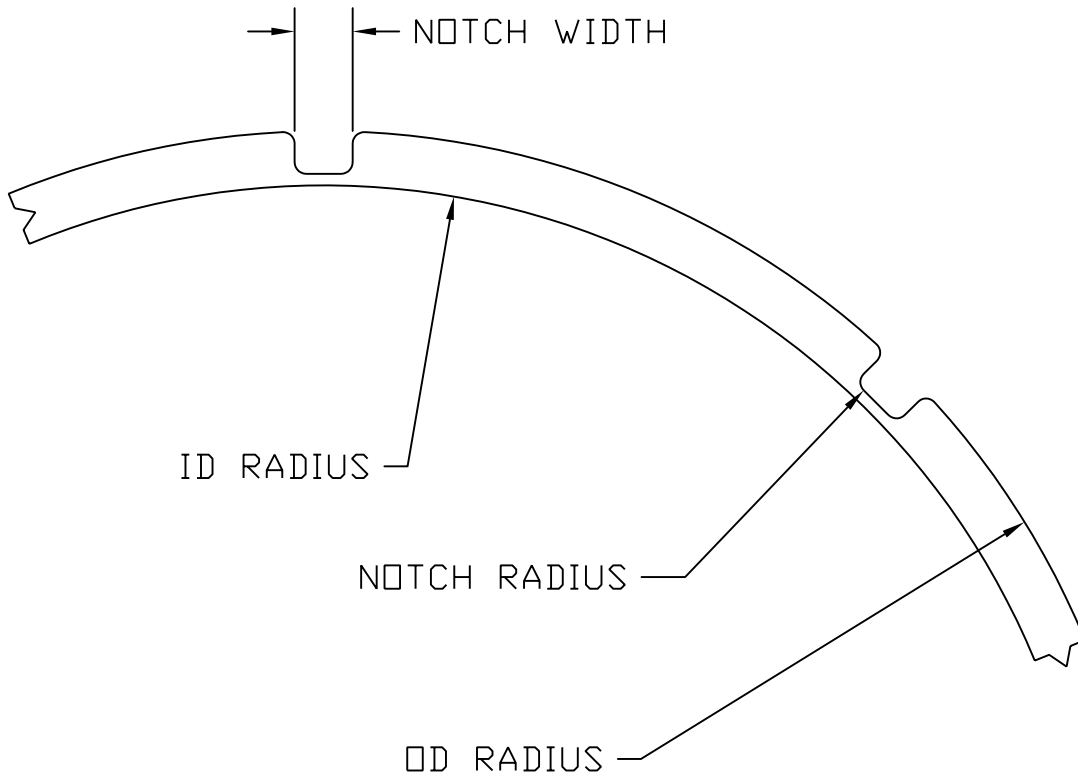


10/1/04	INITIAL RELEASE	G. SEIDEL
DATE	REVISION DESCRIPTION	AUTHOR



'The International Loudspeaker Association'

SEGMENTED GASKET NOMENCLATURE



X.XXX
-A-

10/1/04	INITIAL RELEASE	G. SEIDEL
DATE	REVISION DESCRIPTION	AUTHOR